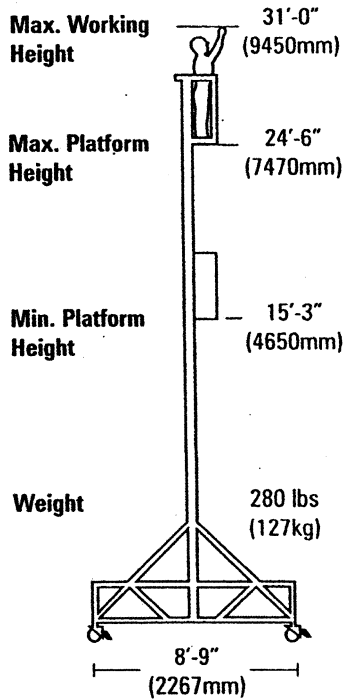
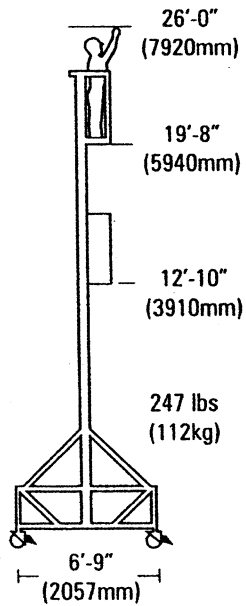


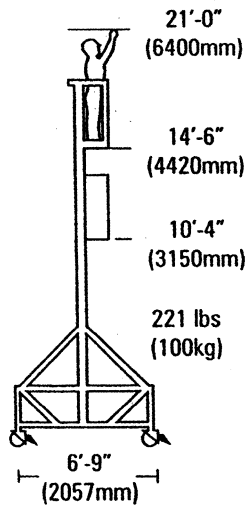
MODEL 50524



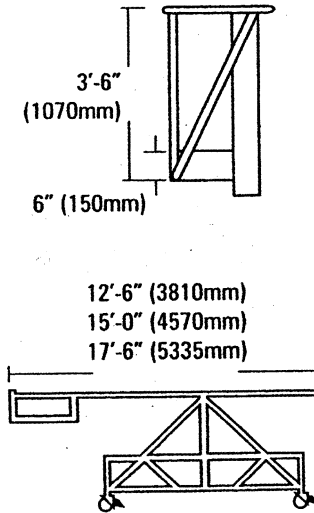
MODEL 50518



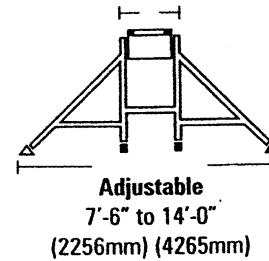
MODEL 50512



Cage Platform Area
18" (450mm) x 18" (450mm)



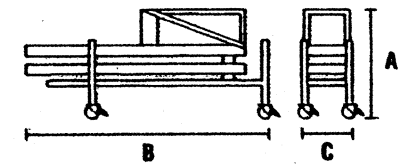
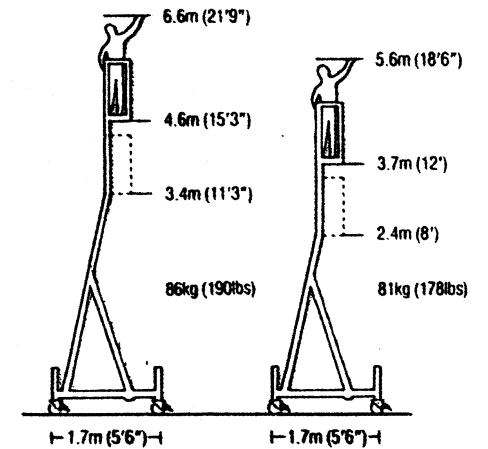
2'-5" (737mm)
(stabilizers folded)



ELEVATOR MODELS

Model 9815

Model 9812



	A	B	C
9815	1.1m (3'6")	2.5m (8'1")	0.74m (2'5")
9812	1.1m (3'6")	2.5m (8'1")	0.74m (2'5")

Fully complies with UK Health & Safety at Work Act 1974.

Fully complies with the statutory requirements of the UK Construction (Health, Safety and Welfare) Regulations 1996